

ASSEMBLY INSTRUCTIONS

HOCKEY TABLE ASSEMBLY

WARNING:TWO ADULTS NEEDED TO ASSEMBLE HOCKEY TABLE

HOCKEY TABLE ASSEMBLY INSTRUCTIONS

PEGASI

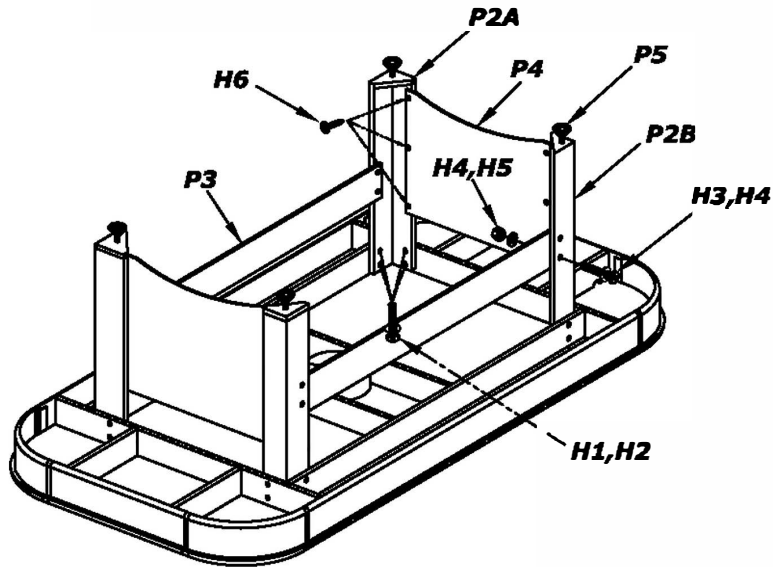


FIGURE 1

6. Attach the scorer **A4** with screws **H7** as shown in **figure 2**.

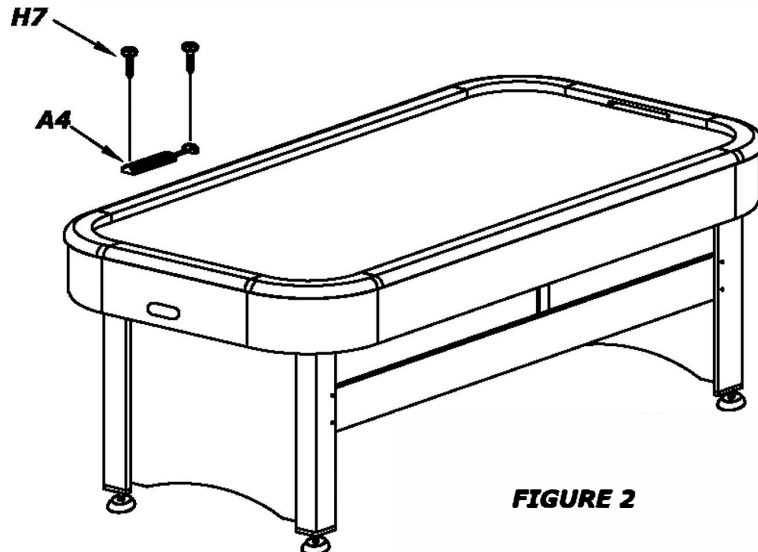
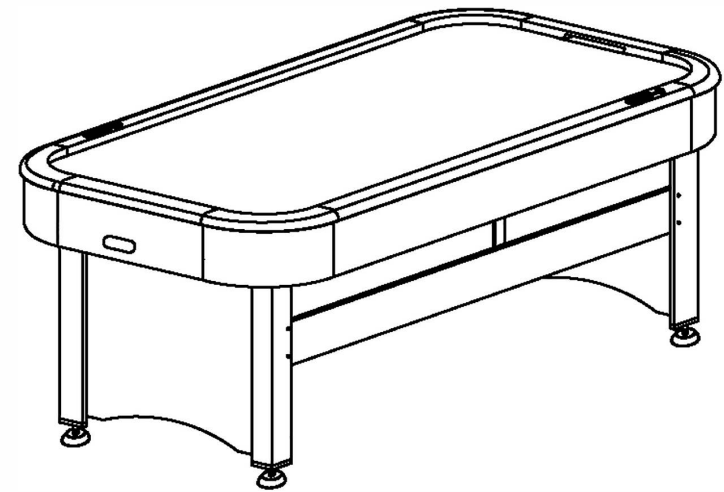
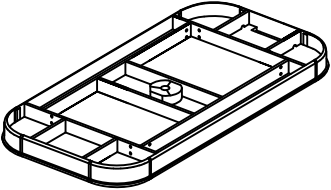
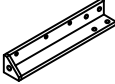
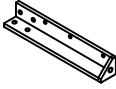
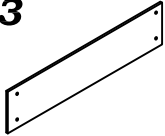
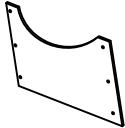

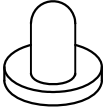

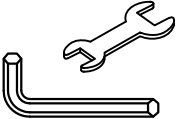
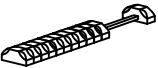


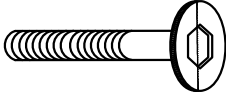
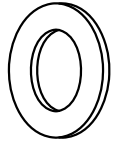
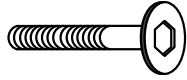

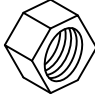
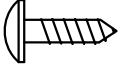

FIGURE 2



PARTS IDENTIFIER

P1  MAIN ASSEMBLY 1set	P2A  RIGHT LEG 2pcs	P2B  LEFT LEG 2pcs
	P3  LEG SIDE PANELS 2pcs	P4  LEG END PANELS 2pcs
P5  LEG LEVELER 4 pcs		
A1  HOCKEY STRIKER 2 pcs	A2  HOCKEY PUCK 2pcs	A3  TOOL 2pcs
A4  SCORER 2 pcs		

PARTS IDENTIFIER

H1  5/16x1-1/4\" BOLT 16pcs	H2  5/16\" BLACK FLAT WASHER 16pcs	H3  1/4x1-1/4\" BOLT 8pcs
H4  1/4\" BLACK FLAT WASHER 16pcs	H5  1/4\" LOCK HEX NUT 8pcs	H6  1/2\" ROUND HEAD PHILLIPS SCREW 12pcs
H7  1\" FLAT HEAD PHILLIPS SCREW 4 pcs		

ASSEMBLY INSTRUCTIONS HOCKEY TABLE ASSEMBLY

WARNING:TWO ADULTS NEEDED TO ASSEMBLE HOCKEY TABLE

1. Unpack all contents and layout on the floor as shown in **figure 1**.
Verify all parts listed on parts list are present.
2. Attach leg **P2A & P2B** with bolt **H1** and washer **H2** as shown in **figure 1**.
3. Attach the end leg panels **P4** to the **INSIDE** surface of legs **P2A&P2B** using screw **H6**.
4. Assembly leg side panel **P3** with bolt **H3** and washer **H4**, nut **H5** as shown in **figure 1**.
5. Assembly the leg levelers **P5** as shown in **figure 1**.